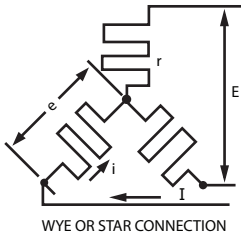
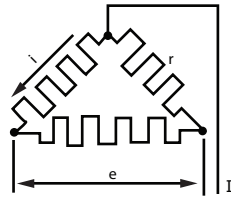




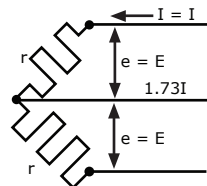
## ELECTRICAL DATA



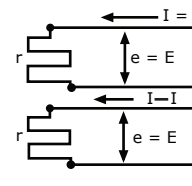
WYE OR STAR CONNECTION



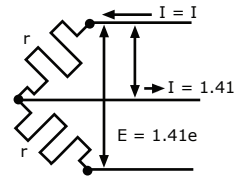
DELTA CONNECTION



3-PHASE OPEN DELTA



2-PHASE 4 WIRE



2-PHASE 3 WIRE

The energy put out by a heating unit is measured in watts.  
The power factor is always unity.

Single phase,  $W = I^2R = EI$

Three Phase Delta,  $W = 3EI = 1.73 EI$

Three Phase Wye,  $W = 3eI = 1.73 EI$

Two Phase 4 Wire,  $W = 2I^2R = 2 EI$

Two Phase 3 Wire,  $W = 2I^2R = 2 EI$

(Voltage between outside wires =  $1.41e$ )

$$\text{Amps} = I = \frac{W}{E} = \frac{E}{R}$$

$$1 \text{ Phase Amps} = I = \frac{W}{E \times \text{PF}}$$

$$\text{A.C., 3 Phase Amps} = I = \frac{W}{1.73 E \times \text{PF}}$$

A.C., 2 Phase 3 Wire: Middle Wire Amps = Amps in outside Wires x 1.41

W = Power, Watts

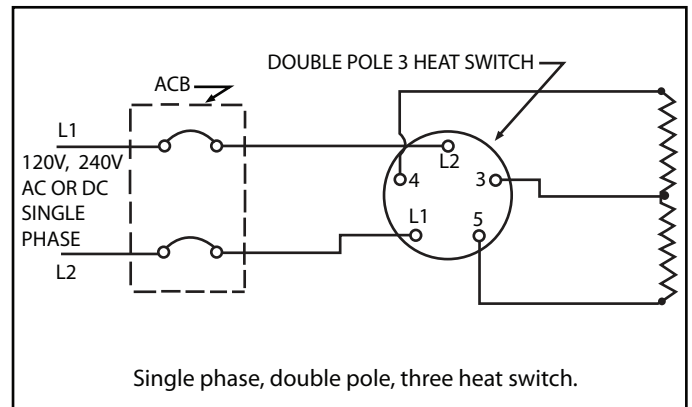
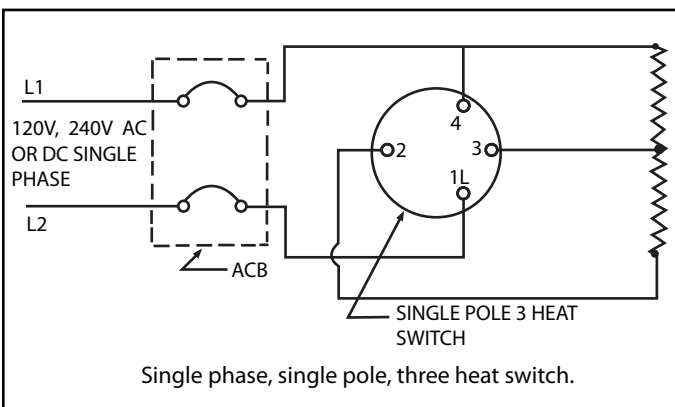
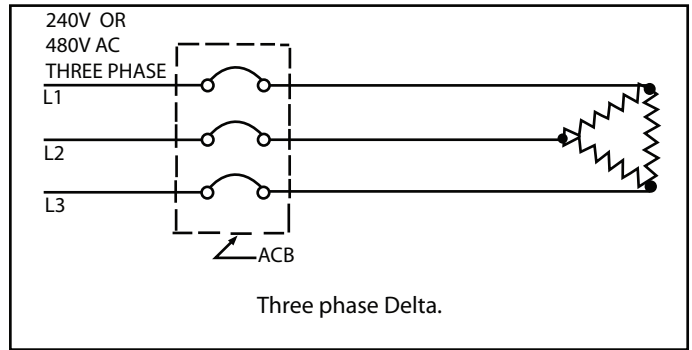
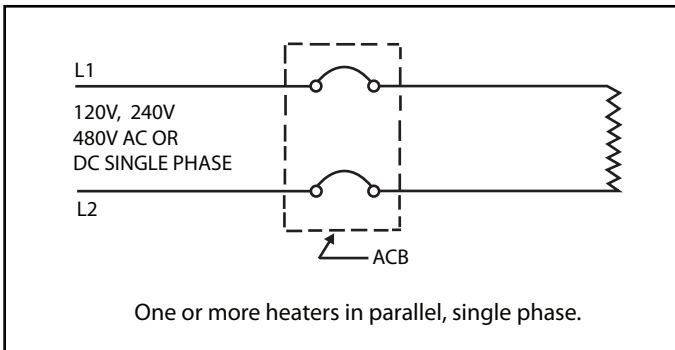
E = E.M.F. Volts

I = Current, Amperes

R = Resistance, Ohms

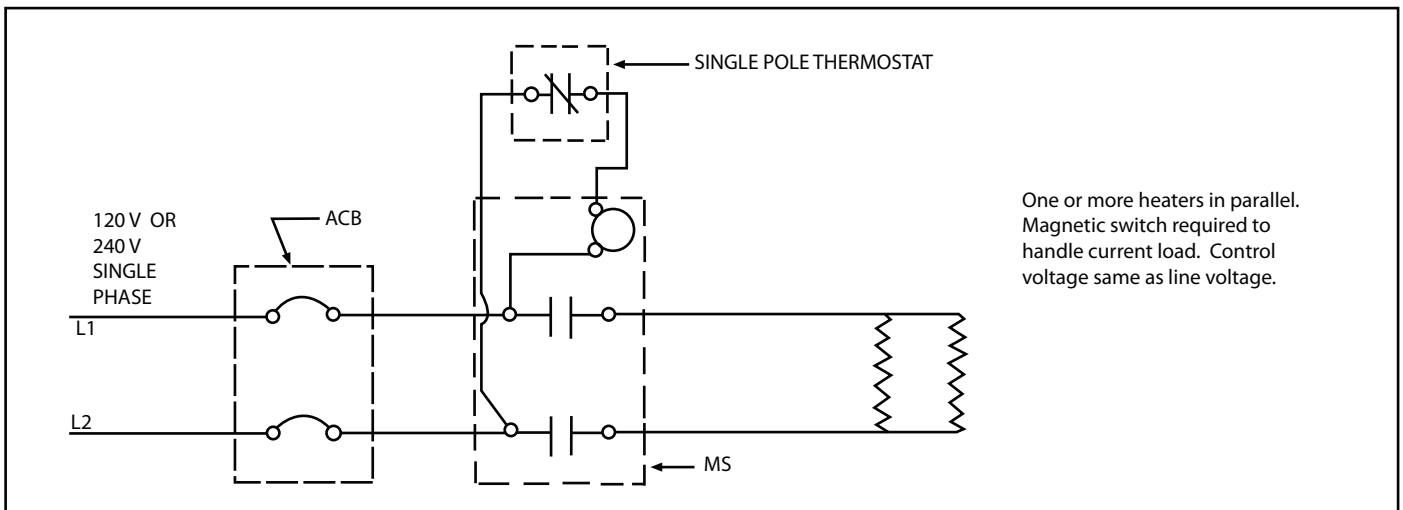
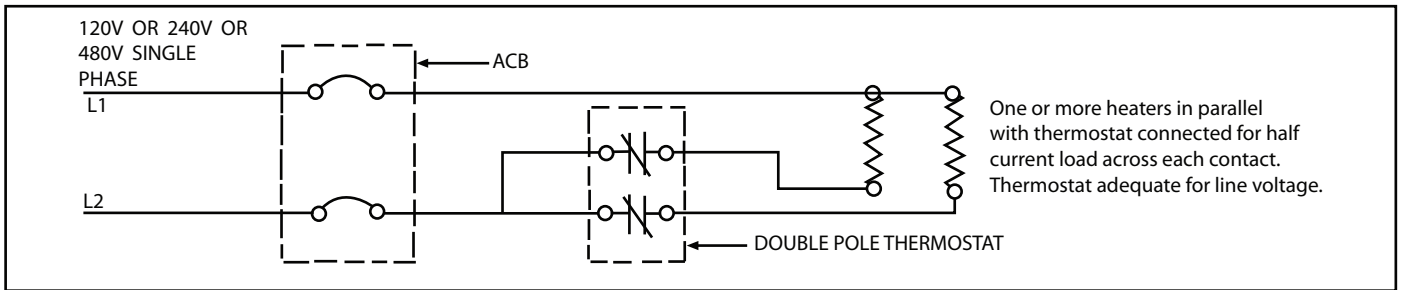
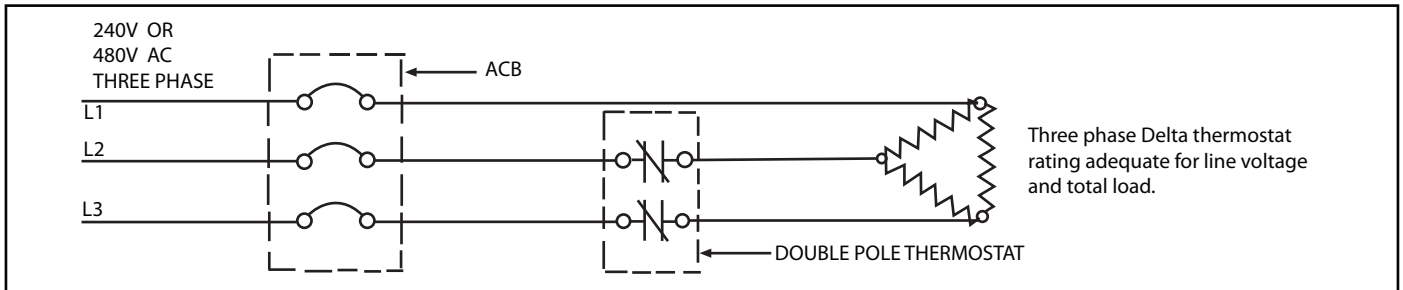
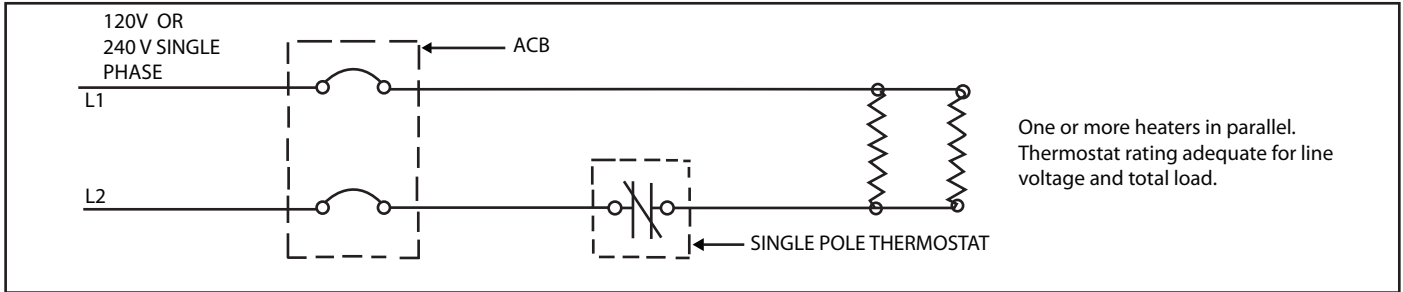
PF = Power Factor

## WIRING DIAGRAMS





## WIRING DIAGRAMS





## WIRING DIAGRAMS

