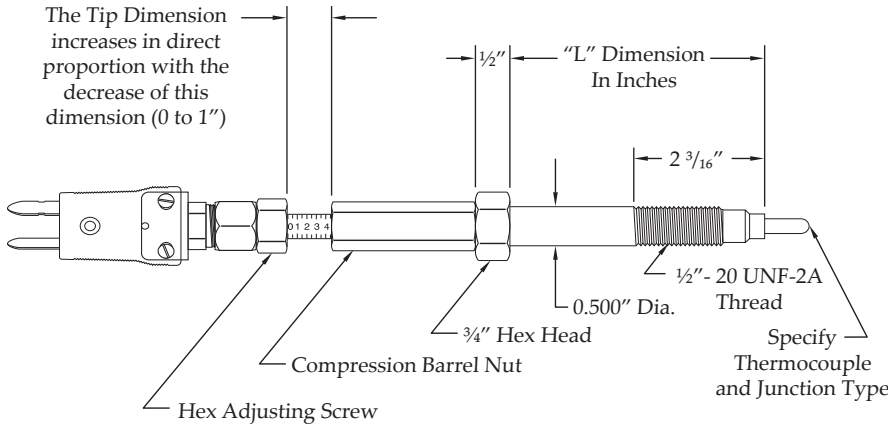
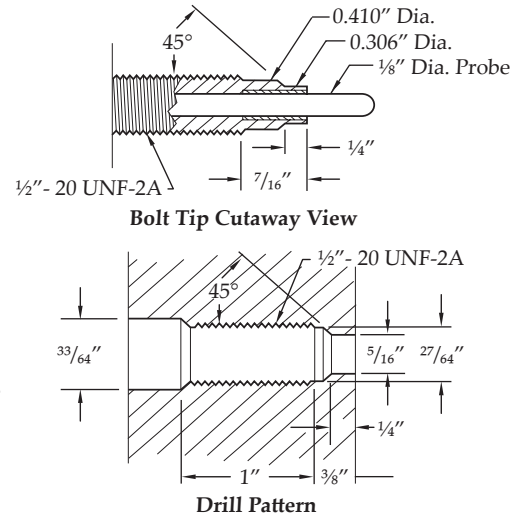


ADJUSTABLE MELT BOLT THERMOCOUPLES

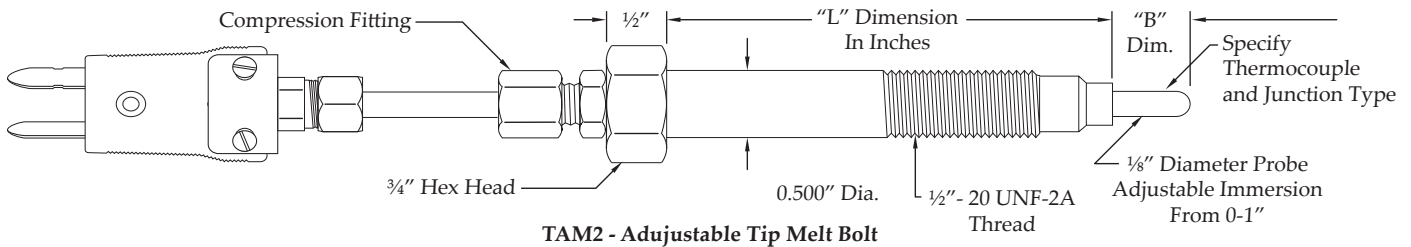


TAM1 - Adjustable Tip Melt Bolt



The standard assembly consists of an 1/8" Outer Diameter MgO insulated type "J" thermocouple in a stainless steel sheath. The body is stainless steel with a 1/2" - 20 UNF-2A thread. A thermal barrier reduces heat transfer from body to thermocouple. Other parts include a packing seal, compression barrel nut, hex adjusting screw, and a polarized quick-disconnect male plug. Standard immersion is adjustable from flush to 1". Standard body lengths are 3", 4", and 6" measured from the beginning of wrench flats to the bolt tip. The adjustable plastic melt thermocouple has a movable probe activated by an inner screw mechanism. The probe can be immersed into or withdrawn from the plastic melt stream while the extruder eliminates thermocouple breakage at start-up and prevents hang-up. The thermocouple is self-cleaning; as it is retracted into the body any film formed on it is scraped off.

Part Number Sequence					TAM1-JG-040	See tables on page 54
TAM1	-	J	G	-	040	
Sensor Type & Style No.		Thermocouple Type	Junction Type		"L" Dimension (3, 4, 6" are Standard)	



TAM2 - Adjustable Tip Melt Bolt

The TAM2 adjustable melt thermocouple features an all stainless steel construction and uses a compression fitting as the mechanism for the adjustment. The TAM2 allows for easy and economical replacement of the mineral insulated thermocouple element.

Part Number Sequence					TAM2-JG-040 - M	See tables on page 54
TAM2	-	J	G	-	040	- M = 3/4"
Sensor Type & Style No.		Thermocouple Type	Junction Type		"L" Dimension (3, 4, 6" are Standard)	"B" Dimension

Sensors

CODE DEFINITIONS AND TERMINATION TYPES

Thermocouple Type

Thermocouple Type Codes				Limits of Error
E	J	K	T	Standard Limits
2	3	4	8	Special Limits

Sheath Diameter

Code	Diameters
B	.125" or 1/8" O.D.
V	.156" or 5/32" O.D.
C	.188" or 3/16" O.D.
D	.250" or 1/4" O.D.
F	.375" or 3/8" O.D.

Junction Type

Code	Single Junction
G	Grounded
U	Ungrounded

Code Definitions

"L" Dimensions				"B" Dimensions				"A" Dimensions		Fractional Dimension Letter Code					
"L" dimensions are specified in whole inches and a single alpha character which represents a fraction. Enter the three digit code as follows: 3" 030 10 5/8" 10K				"B" dimensions are specified in fractions from 1/8" to 1". Use the single alpha character to indicate the tip length. Enter the code as follows: 1/8" B 5/8" K 1/4" D 3/4" M 3/8" F 7/8" P 1/2" H 1" S				"A" dimensions are specified in whole inches only. Enter the three digit code as follows: 9" 009 12" 012 36" 036 144" 144		1/16"	A	11/16"	L	No Fraction	
										1/8"	B	3/4"	M		
3/16"	C	13/16"	N												
1/4"	D	7/8"	P												
5/16"	E	15/16"	R												
3/8"	F	1"	S												
7/16"	G	0	No												

Termination Type Numbers

