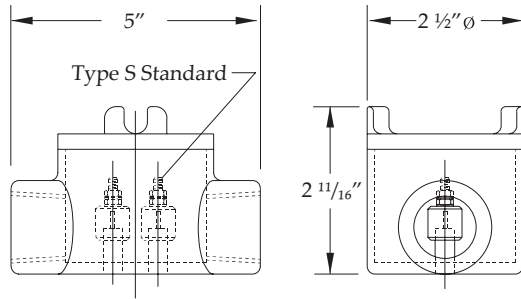
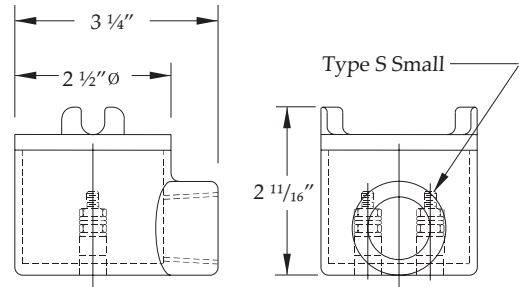


# Cast-In Heater Protective housings



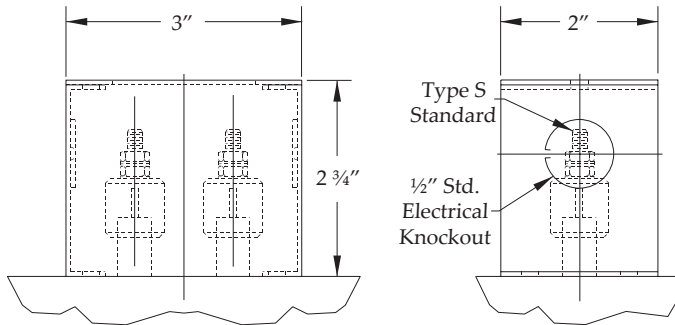
**TYPE B1**

Explosion proof cast iron housing with 1/2" NPT double hub. Single phase design shown. Larger housing for 3 phase design also available.



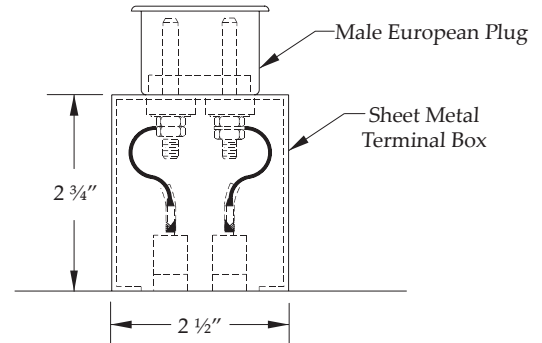
**TYPE B2**

Explosion proof cast iron housing with 1/2" NPT single hub. Single phase design shown. Larger housing for 3 phase design also available.



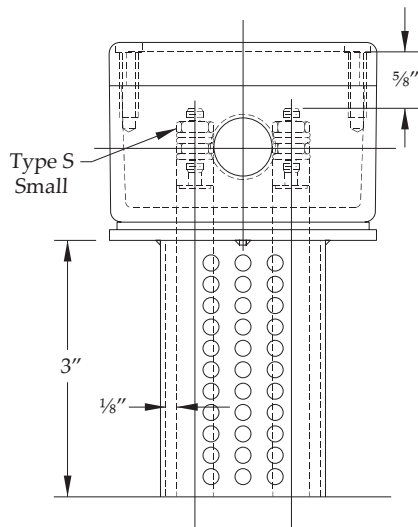
**TYPE B3**

Standard size stainless steel sheet metal box with two 1/2" electrical knockouts. Other sizes and types available.



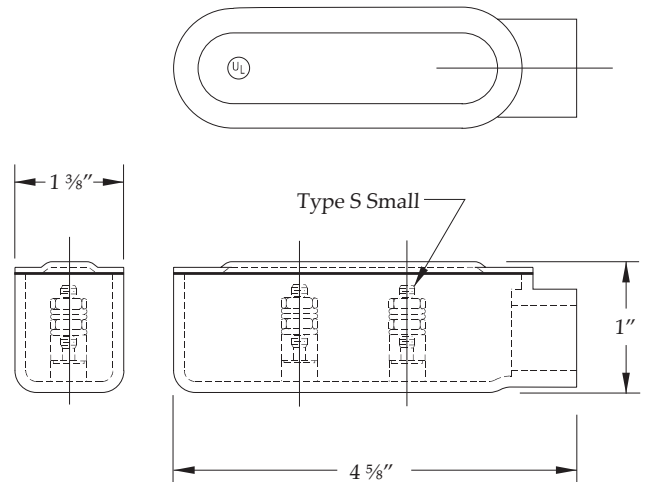
**TYPE B4**

Stainless steel terminal enclosure with male ERGE plug mounted on top. Mating connections available upon request.



**TYPE B5**

Die cast aluminum enclosure with 1/2" or 3/4" threaded electrical connections mounted to vented cooling tower. Other sizes and types available for single and 3 phase designs.



**TYPE B6**

Explosion proof box with 1/2" NPT single hub, designed for low profile applications. Single phase only. Different hub configurations are available.