



*closing the loop on thermal solutions*

ISO 9001: 2008 REGISTERED COMPANY

[www.durexindustries.com](http://www.durexindustries.com)

## **Durex E-Series Integrated Temperature Control Consoles**



**Durex Industries' E-Series Temperature Control Consoles** integrate temperature controllers, power switching devices, power connectors, fuses, sensor connectors and other electromechanical devices into a compact system. The integration of discrete components into a complete self-powered turnkey system saves design and manufacturing cost, while providing a robust reliable temperature control system for many laboratory and industrial applications.

The E-Series can be easily customized for applications where alternate controller functionality, electromechanical components, or power configurations are needed for an application. Durex Industries provides application assistance, system development and rapid prototyping services.

### **DESIGN FEATURES**

- Compact robust housing for industrial applications
- Industrial hardened temperature controllers with PID algorithms
- Turnkey system eliminates costly design and manufacturing time
- Easily customized for applications requiring alternative functionality or components

### **APPLICATIONS**

- Semiconductor Gas and Pump Line Systems
- Food, Dairy, and Pharmaceutical Processing
- Laboratory Bench Top Control Systems
- Museums and Educational Institutions
- Process Wet Baths
- Packaging Hot-Melt Glue

### **SPECIFICATIONS**

#### **Controller (Standard):**

- Durex 1/32 Din SA Series
- Durex 1/16 Din RB Series

#### **Dimensions:**

- **1-Zone Compact:** 1/32 Din: 76mm H x 90 mm W x 180 mm D (3.0 in. H x 3.5 in. W x 7.1 in. D)
- **1-Zone Standard:** 119 mm H x 76 mm W x 191 mm D (4.7 in. H x 3.0 in. W x 7.5 in. D)
- **2-Zone:** 114 mm H x 152 mm W x 191 mm D (4.5 in. H x 6.0 in. W x 7.5 in. D)
- **4-Zone:** 111 mm H x 305 mm W x 191 mm D (4.5 in. H x 12.0 in. W x 7.5 in. D)

#### **Power Requirements:**

- 120V ~ (ac), +10%, - 15% (NEMA 5-15 plug)
- 208/240V ~ (ac), +10%, - 15% (NEMA 5-15 plug)

#### **Self-Powered Output Switching:**

- Integral solid state relays
- Powered through line cord
- 1-Zone, 8 amps maximum
- 2-Zones, 4 amps/zone
- 4-Zones, 2 amps/zone

#### **Output Connectors:**

- Amp Mate-'n'-Lok® 2-pin connector  
Mate-'n'-Lok® is a registered trademark of AMP Company

#### **Operating Environment:**

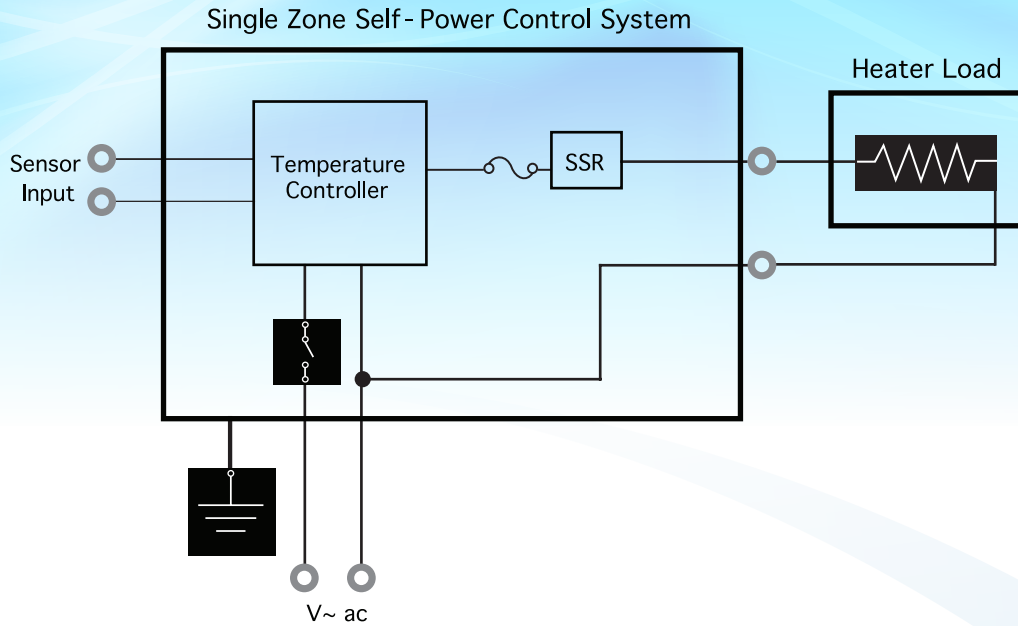
- 0 to 45°C (32 to 113°F)
- 0 to 90% RH, non-condensing

#### **Weight:**

- 1-Zone: 0.9kg (2 lbs)
- 2-Zone: 2.3kg (5 lbs)
- 4-Zone: 2.7kg (6 lbs)

# Durex E-Series Integrated Temperature Control Consoles

## STANDARD WIRING DIAGRAM



## E SERIES CONTROL CONSOLE ORDERING

Code Numbering Scheme: **E** - - - - - 00000

### PID Temperature Control

- A** = 1/32 Din PID Temperature Control
- B** = 1/16 Din PID Temperature Control

### Temperature Control Zones

- 1A** = 1-Zone Compact 8 Amps (1/32 Din Only)
- 2B** = 1-Zone Standard 8 Amps (1/32 or 1/16 Din)
- 2A** = 2-Zones, 4 Amps/Zone
- 4A** = 4-Zones, 2 Amps/Zone

### Line Power and Load Voltage

- 1** = 120V~(ac)
- 2** = 208/240V~(ac)

### Temperature Sensor Type

- J** = Type J Type J Thermocouple
- K** = Type K Thermocouple
- R** = RTD (2 wire)



*closing the loop on thermal solutions*

Visit us online at: [www.durexindustries.com](http://www.durexindustries.com) or e-mail: [sales@durexindustries.com](mailto:sales@durexindustries.com)

P/N CTRL-ETCC-0811