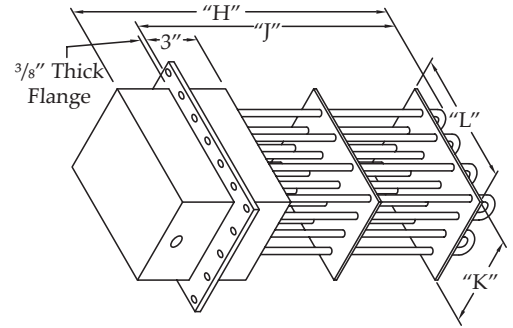
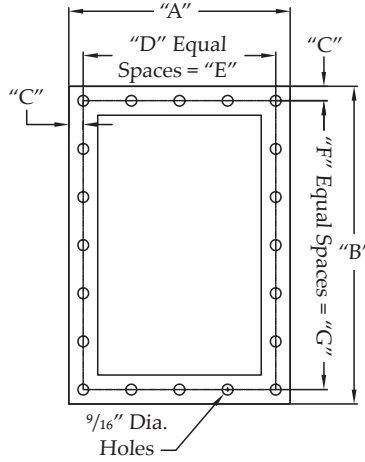
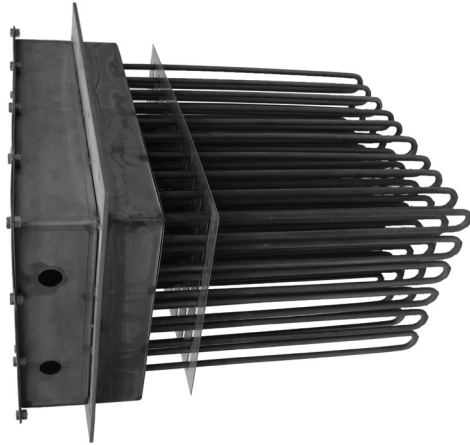


## HIGH TEMPERATURE (HT) DUCT AIR HEATERS



- 5 to 300 kW Ratings at up to 480V
- 1200°F (650°C) Max. Outlet Temperature
- Up to 20 W/in<sup>2</sup> Rating
- Insulated Stand-Off Housing for Cool Wiring Temperatures

Heater KW Rating	Number of Elements	A in inches	B in inches	C in inches	D # of Holes	E in inches	F # of Holes	G in inches	H in inches	J in inches	K in inches	L in inches	Heater Voltage	Number of Circuits	Catalog Part Number
5	3	8.00	10.00	0.75	3	2.15	4	2.12	28.00	24.00	3.00	4.50	240	1	DH434-A240N-50005
5	3	8.00	10.00	0.75	3	2.15	4	2.12	28.00	24.00	3.00	4.50	480	1	DH434-A240N-50008
10	6	10.00	12.00	0.75	4	2.12	5	2.10	28.00	24.00	4.50	6.00	240	1	DH434-B240N-100C5
10	6	10.00	12.00	0.75	4	2.12	5	2.10	28.00	24.00	4.50	6.00	480	1	DH434-B240N-100C8
15	9	10.00	14.00	0.75	4	2.12	6	2.08	28.00	24.00	4.50	9.00	240	1	DH434-K240N-150C5
15	9	10.00	14.00	0.75	4	2.12	6	2.08	28.00	24.00	4.50	9.00	480	1	DH434-K240N-150C8
20	12	12.00	14.00	0.75	5	2.10	6	2.08	34.00	30.00	6.00	9.00	240	2	DH434-C300N-200C5
20	12	12.00	14.00	0.75	5	2.10	6	2.08	34.00	30.00	6.00	9.00	480	1	DH434-C300N-200C8
25	15	13.00	14.00	0.75	5	2.10	6	2.08	34.00	30.00	7.50	9.00	240	2	DH434-L300N-250C5
25	15	13.00	14.00	0.75	5	2.10	6	2.08	34.00	30.00	7.50	9.00	480	1	DH434-L300N-250C8
30	18	14.00	14.00	0.75	6	2.08	6	2.08	34.00	30.00	9.00	9.00	240	2	DH434-D300N-300C5
30	18	14.00	14.00	0.75	6	2.08	6	2.08	34.00	30.00	9.00	9.00	480	1	DH434-D300N-300C8
35	21	14.00	16.00	0.75	4	2.12	12	2.05	34.00	30.00	9.00	10.50	240	3	DH434-V300N-350C5
35	21	14.00	16.00	0.75	4	2.12	12	2.05	34.00	30.00	9.00	10.50	480	1	DH434-V300N-350C8
40	24	14.00	17.00	0.75	6	2.08	9	2.06	34.00	30.00	9.00	12.00	240	3	DH434-M300N-400C5
40	24	14.00	17.00	0.75	6	2.08	9	2.06	34.00	30.00	9.00	12.00	480	2	DH434-M300N-400C8
45	27	14.00	18.50	0.75	4	2.12	14	2.18	34.00	30.00	9.00	13.50	480	2	DH434-E300N-450C8
50	30	14.00	20.00	0.75	5	2.10	9	2.06	34.00	30.00	9.00	15.00	480	2	DH434-I300N-500C8
60	36	14.00	24.00	0.75	6	2.08	10	2.25	34.00	30.00	9.00	18.00	480	2	DH434-F300N-600C8
80	48	17.00	24.00	0.75	7	2.21	10	2.25	34.00	30.00	12.00	18.00	480	4	DH434-X300N-800C8
100	60	20.00	24.00	0.75	9	2.06	10	2.25	34.00	30.00	15.00	18.00	480	5	DH434-X300N-100K8
120	36	14.00	24.00	0.75	6	2.08	10	2.25	62.00	58.00	9.00	18.00	480	4	DH434-F580N-120K8
144	48	17.00	24.00	0.75	7	2.21	10	2.25	56.00	52.00	12.00	18.00	480	4	DH434-X520N-144K8
160	48	17.00	24.00	0.75	7	2.21	10	2.25	62.00	58.00	12.00	18.00	480	8	DH434-X580N-160K8
180	54	18.50	24.00	0.75	8	2.12	10	2.25	62.00	58.00	13.50	18.00	480	6	DH434-N580N-180K8
216	72	24.00	24.00	0.75	8	2.12	13	2.19	56.00	52.00	18.00	18.00	480	6	DH434-P520N-216K8
240	72	20.00	24.00	0.75	8	2.12	13	2.19	62.00	58.00	18.00	18.00	480	8	DH434-P580N-240K8
270	80	20.00	28.00	0.75	9	2.06	13	2.19	56.00	52.00	15.00	22.50	480	8	DH434-X520N-270K8
300	90	20.00	32.00	0.75	9	2.06	14	2.18	62.00	58.00	15.00	27.00	480	10	DH434-S580N-300K8

Heaters are wired for 3 phase voltage, rated 20 W/in<sup>2</sup> and come with a NEMA 1 enclosure, no sensors or controls.