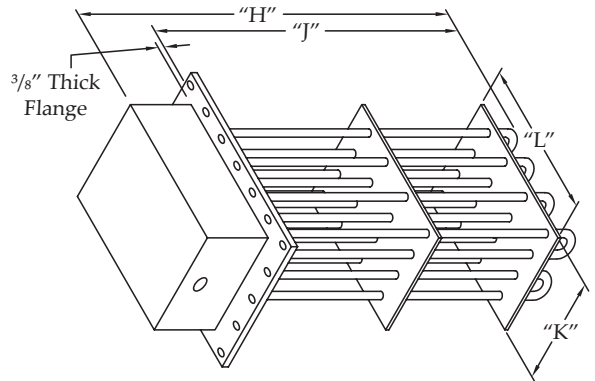
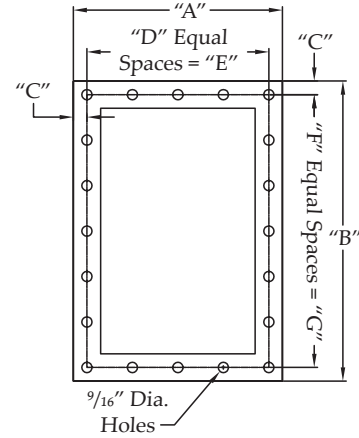
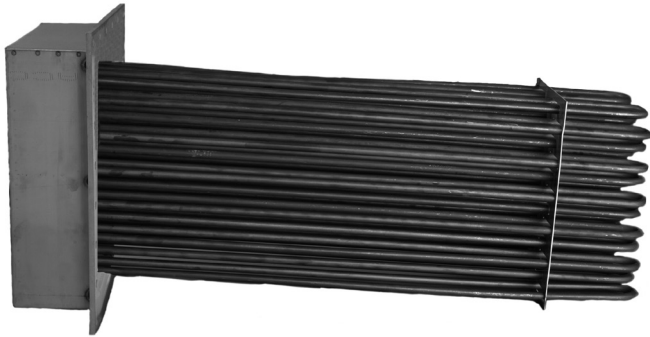


MEDIUM TEMPERATURE (MT) DUCT AIR HEATERS

Medium temperature duct heaters are lighter duty heaters meant for lower temperature applications.



- 5 to 60 kW Ratings at up to 480V
- 750°F (400°C) Max. Outlet Temperature
- Up to 15 W/in² Rating
- Enclosure-Side Insulation for Cool Wiring Temperatures

Heater KW Rating	Number of Elements	A in inches	B in inches	C in inches	D # of holes	E in inches	F # of holes	G in inches	H in inches	J in inches	K in inches	L in inches	Heater Voltage	Number of Circuits	Part Number
6	6	10.00	12.00	0.75	4	2.12	5	2.10	28.00	24.00	7.00	9.00	240	1	DM434-B240N-60005
6	6	10.00	12.00	0.75	4	2.12	5	2.10	28.00	24.00	7.00	9.00	480	1	DM434-B240N-60008
12	12	12.00	14.00	0.75	5	2.10	6	2.08	34.00	30.00	9.00	11.00	240	1	DM434-C300N-120C5
12	12	12.00	14.00	0.75	5	2.10	6	2.08	34.00	30.00	9.00	11.00	480	1	DM434-C300N-120C8
18	18	14.00	14.00	0.75	5	2.16	6	2.08	34.00	30.00	11.00	11.00	240	1	DM434-D300N-180C5
18	18	14.00	14.00	0.75	5	2.16	6	2.08	34.00	30.00	11.00	11.00	480	1	DM434-D300N-180C8
24	24	14.00	20.00	0.75	6	2.08	9	2.06	34.00	30.00	11.00	14.00	240	2	DM434-M300N-240C5
24	24	14.00	20.00	0.75	6	2.08	9	2.06	34.00	30.00	11.00	14.00	480	1	DM434-M300N-240C8
30	30	12.50	20.00	0.75	5	2.20	9	2.06	34.00	30.00	9.00	21.00	240	2	DM434-I300N-300C5
30	30	12.50	20.00	0.75	5	2.20	9	2.06	34.00	30.00	9.00	21.00	480	1	DM434-I300N-300C8
36	36	14.00	24.00	0.75	6	2.08	10	2.25	34.00	30.00	14.00	15.00	240	2	DM434-F300N-360C5
36	36	14.00	24.00	0.75	6	2.08	10	2.25	34.00	30.00	14.00	15.00	480	1	DM434-F300N-360C8
42	42	15.50	24.00	0.75	7	2.07	10	2.25	34.00	30.00	11.00	13.00	480	2	DM434-Y300N-420C8
48	48	17.00	24.00	0.75	7	2.21	10	2.25	34.00	30.00	14.00	21.00	480	2	DM434-X300N-480C8
54	54	18.50	24.00	0.75	8	2.12	10	2.25	34.00	30.00	15.00	21.00	480	2	DM434-N300N-540C8
60	60	20.00	24.00	0.75	9	2.06	10	2.25	34.00	30.00	17.00	21.00	480	2	DM434-X300N-600C8

Heaters are wired for 3 phase voltage, rated 15 W/in² and come with a NEMA 1 enclosure, no sensors or controls.